



CD2003GP/GB

FM/AM RADIO IC

1、 Overview

The CD2003GP/GB is a monolithic IC designed for use as a FM/AM radio system.

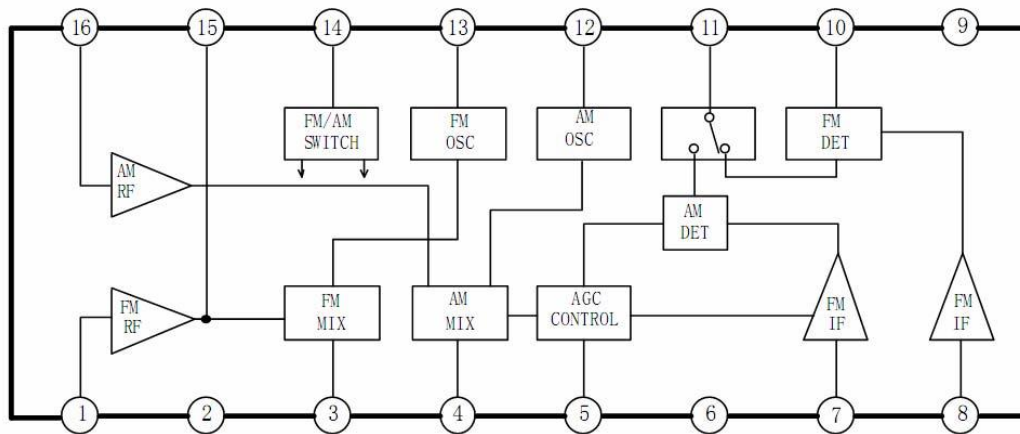
Combined with audio power amplifier IC, a suitable FM/AM radio can be constituted. Its

features are:

- No need for FM IFT, AM IFT, and FM detector coil
- Adjustment free for FM detector circuit
- Wide operating supply voltage range: $V_{CC}=1.8\sim 7V$ ($T_{amb}=25^{\circ}C$)
- Package: DIP16/SOP16

2、 Block Diagram And Pin Descriptions

2. 1. Block Diagram



2. 2. Pin Descriptions

PIN	Symbol	Function	PIN	Symbol	Function
1	IN _{FMR}	FM RF Input	9	GND _{OUT}	Output Ground
2	GND _{IN}	Input Ground	10	QUAD	QUAD
3	OUT _{FMM}	FM Mixer Output	11	OUT _{DET}	Detector Output
4	OUT _{AMM}	AM Mixer Output	12	OSC _{AM}	AM Oscillation
5	AGC	AGC Control	13	OSC _{FM}	FM Oscillation
6	V _{CC}	Supply Voltage	14	SW	AM/FM Switch
7	IN _{AMI}	AM IF Input	15	TUN _{FM}	FM Tuner
8	IN _{FMI}	FM IF Input	16	IN _{AMR}	AM RF Input

3. Electrical Characteristics

3.1. Absolute Maximum Ratings (Ta=25°C)

Parameter	Symbol	Conditions	Value	Unit
Supply Voltage	V _{CC}		8	V
Power Dissipation	P _D	DIP16	750	mW
		SOP16	350	
Operating Temperature	T _{amb}		- 25 ~ 75	°C
Storage Temperature	T _{stg}		- 55 ~ 150	°C

NOTE: Derated above T_{amb}=25°C in the proportion of 6mW/°C for CD2003GP and of 2.8mW/°C for CD2003GB.

3.2. Electrical Characteristics

Unless otherwise specified, T_{amb}=25°C, V_{CC}=3V

F/E: f=98MHz, f_m=1kHz

FM IF: f=10.7MHz, Δf=±22.5kHz, f_m=1kHz

AM: f=1MHz, MOD=30%, f_m=1kHz

Parameter	Symbol	Test Conditions	Value			Unit
			Min	Typ	Max	
Supply Current	I _{CCQ}	FM mode, V _{in} =0	5.0	10.5	16.5	mA
		AM mode, V _{in} =0	3.5	5.0	8.0	
F / E						
Quiescent Sensitivity	Q _s	S/N=30dB		2		uV
Input Limiting Sensitivity	V _{IN(LIM)}	V _O 为 -3 dB		2		uV
Local OSC Stop Voltage	V _{STOP(FM)}	V _{in} =0		1.2		V
Local OSC Voltage	V _{OSC}	f _{OSC} =108MHZ	160	240	320	mV
FM IF						
Input Limiting Sensitivity	V _{IN(LIM)}	V _O 为 -3dB	63	112	200	uV
Detector Output Voltage	V _{OD}	V _{in} =80dBu EMF	75		130	mV
Signal to Noise Ratio	S/N	V _{in} =80dBu EMF		62		dB

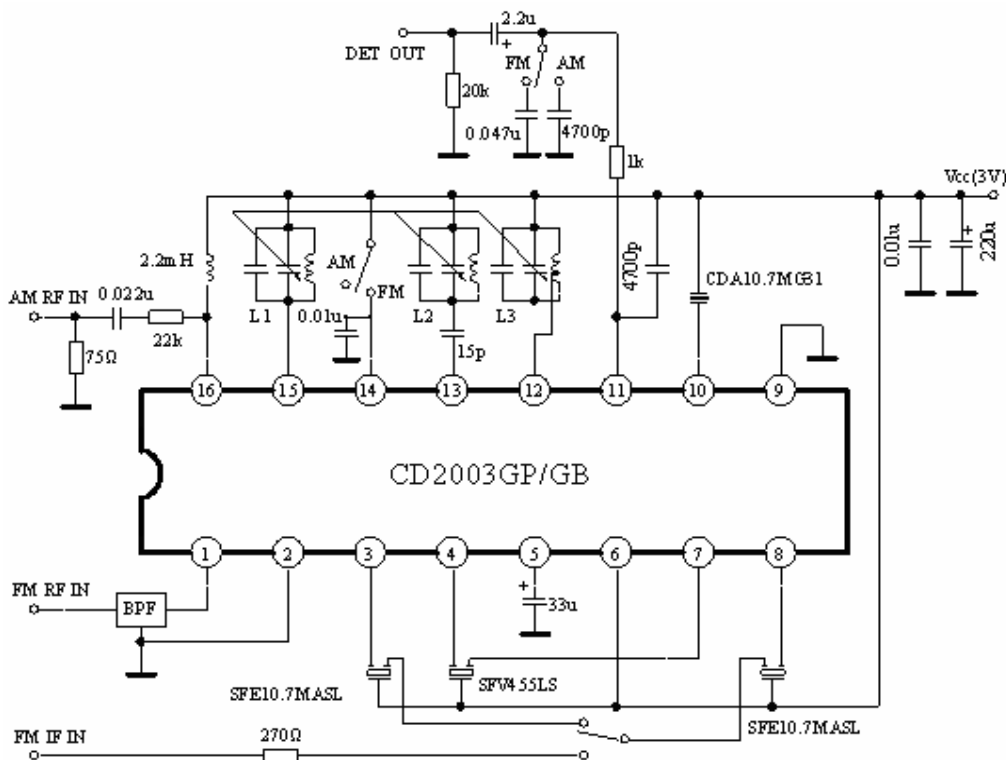
To be continued

continued

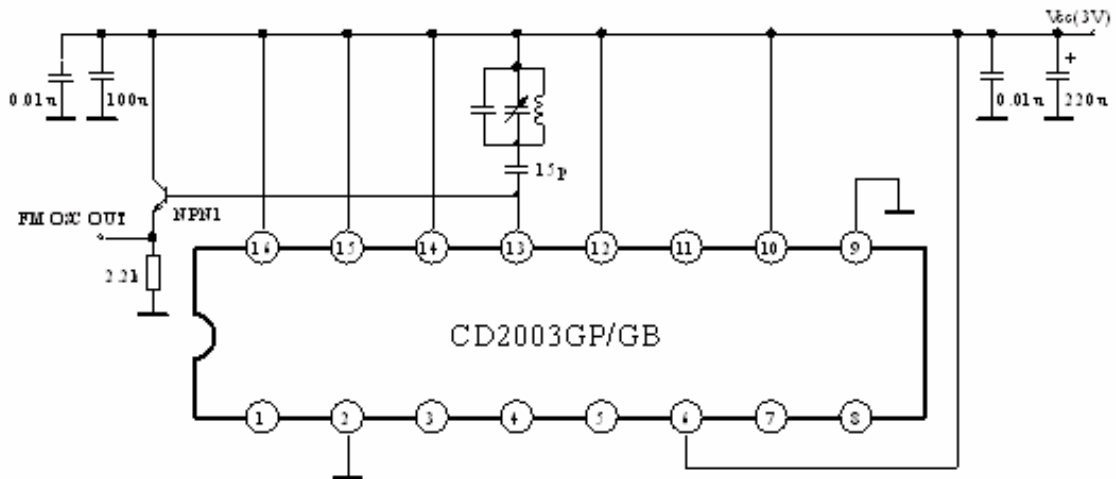
Parameter	Symbol	Test Conditions	Value			Unit
			Min	Typ	Max	
Total Harmonic Distortion	THD	$V_{in}=80\text{dBu}$ EMF		0.4		%
AM Rejection Ratio	AMR	$V_{in}=80\text{dBu}$ EMF		33		dB
AM						
Detector Output Voltage 1	V_{OD1}	$V_{in}=27\text{dBu}$ EMF	15		50	mV
Detector Output Voltage 2	V_{OD2}	$V_{in}=60\text{dBu}$ EMF	40	60	100	mV
Signal to Noise Ratio	S/N	$V_{in}=60\text{dBu}$ EMF		43		dB
Total Harmonic Distortion	THD	$V_{in}=60\text{dBu}$ EMF		1		%
Local OSC Stop Voltage	$V_{STO(AM)}$	$V_{in}=0$		1.6		V

4、 Test Circuit

4.1. Test Circuit 1



4.2. Test Circuit 2

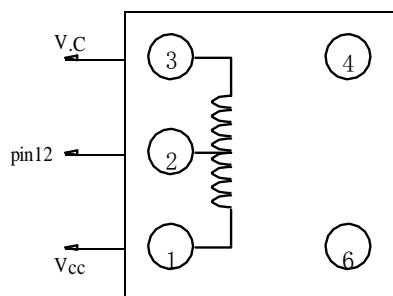


4.3. Note

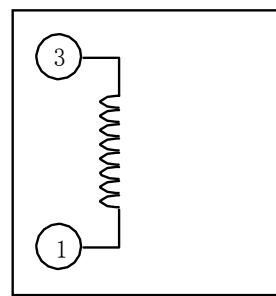
Coil Data (Test Circuit)

Coil No.	Test Frequency (HZ)	L (uH)	Q _o	C _o (pF)	Turns					Wire (mm)	Reference
					1-2	2-3	1-3	1-4	4-6		
L1: FM RF	100M		100					2.25		0.5	0258-0000-021 (注)
L2: FM OSC	100M		100				1.75			0.5	0258-000-020 (注)
L3: AM OSC	796K	268	125		14	86				0.06	2157-2239-213A (注)

NOTE: SUMIDA ELECTRIC CO., LTD

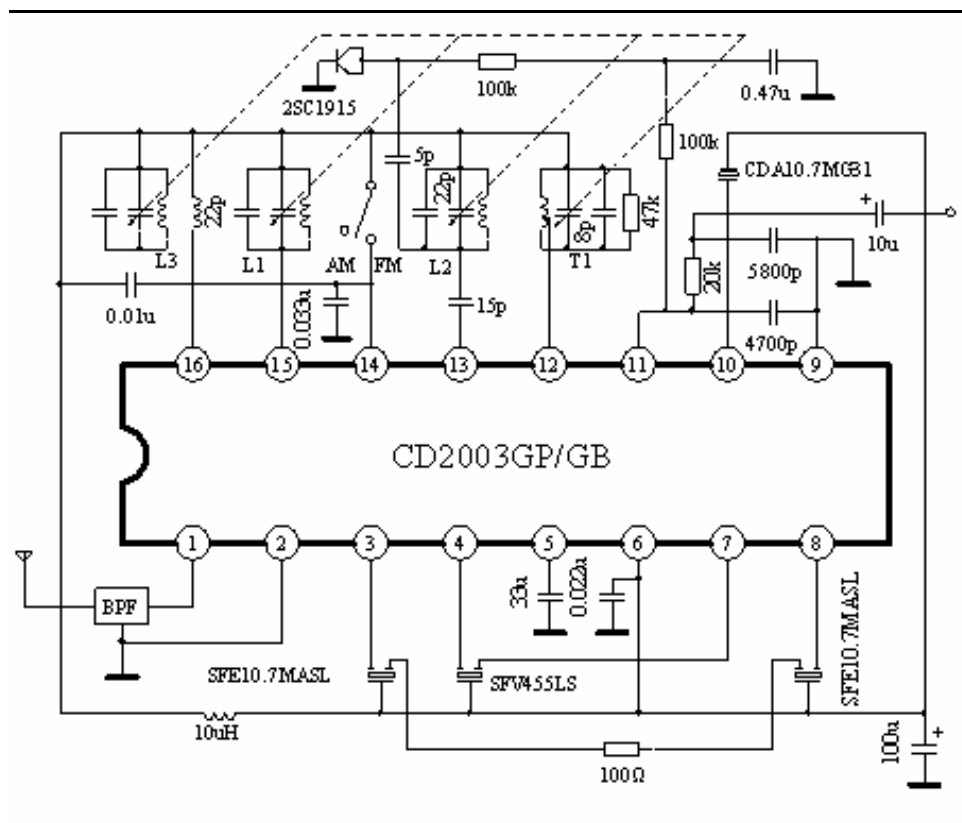


L3



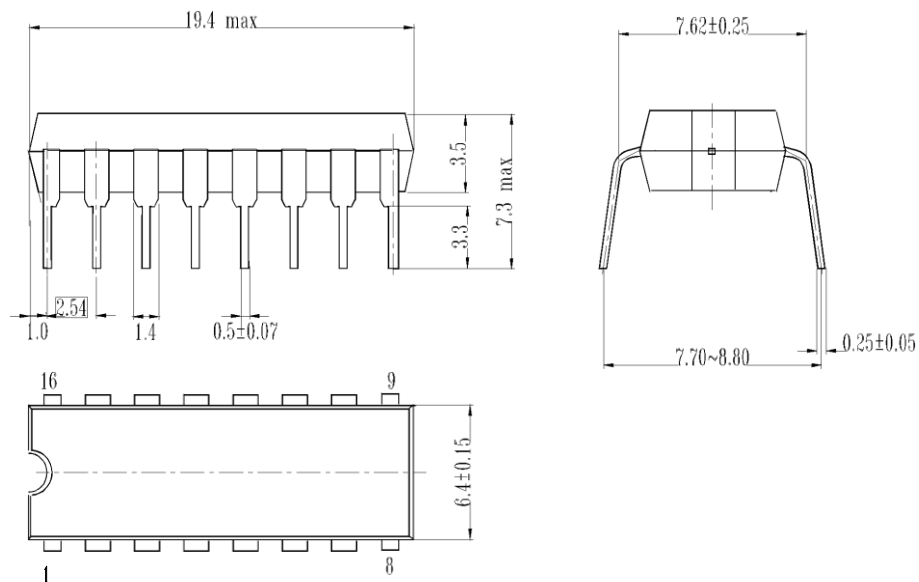
L1 L2

5. Application Circuit



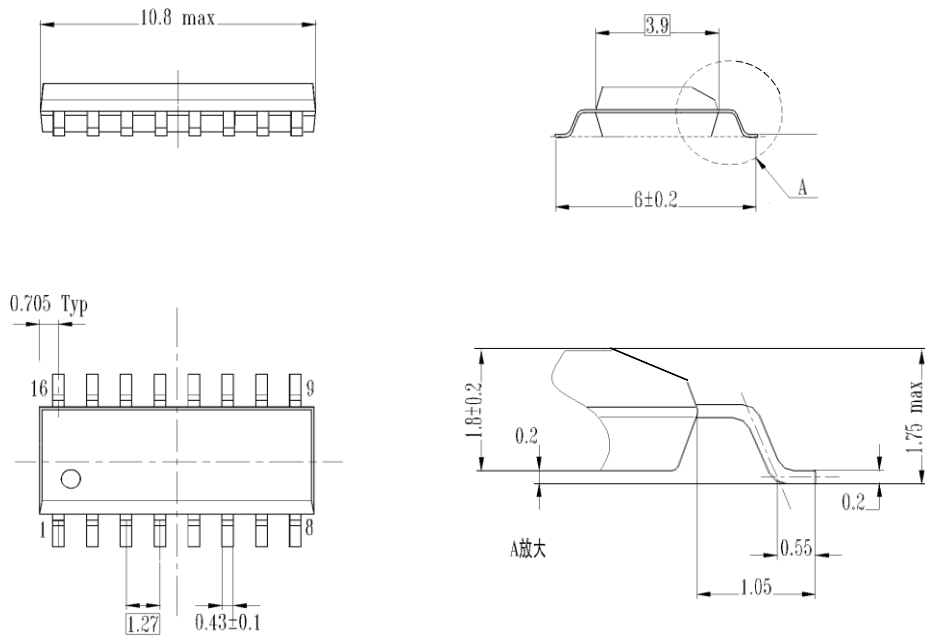
6. Package Outline

6.1. DIP16





6.2、SOP16



**Note:**

Please read this material carefully before use Semico products;

Wuxi China Resources Semico Co., Ltd. reserves the right to make changes to its products without prior notice, in order to improve design and performance.

Semico assumes no responsibility for or liabilities arising from the specifications listed herein.

Applications described herein are for illustrative purposes only, and Semico makes no warranty that its products will be suitable for the applications specified without further modification.

Semico also assumes no responsibility for the consequences of use of such information nor for any infringement of patents or other rights of third parties which may result from its use. No licence is granted by implication or otherwise under any patent or patent rights of Semico.

Semico does not recommend the use of its products in life support applications where malfunction of such products could be expected to threaten human life. Customers using or selling Semico's products for use in such applications do so at their own risk and shall be liable for all claims or damages resulting from improper use or sales.